



Specification Information

Product Code: 718

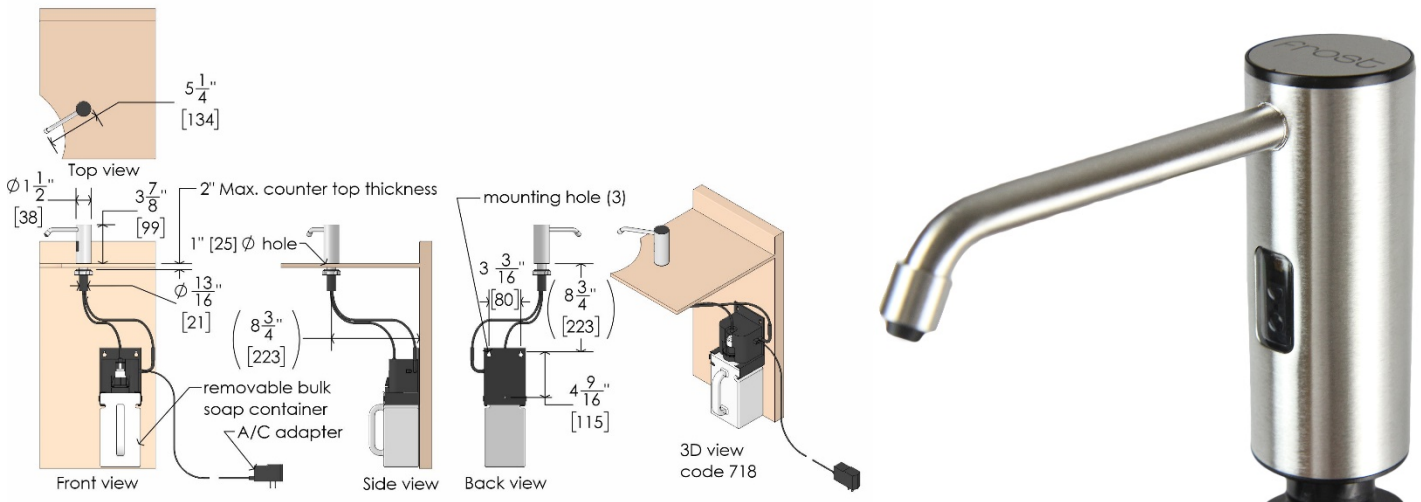
Product Name: Counter Mounted Automatic Foam Soap Dispenser

Individual Carton UPC: 624622718008

Individual Carton Shipping Dimensions: 31.8cm W x 12.7cm H x 16.5cm D (12.5" W x 6.5" H x 7" D)

Individual Carton Shipping Weight: 1.6kg (3.5 lbs)

Site Location: Frost's 718 counter mounted automatic foam soap dispenser offers a professional solution for high volume areas requiring hands-free operation. Typically, the dispenser is used in schools/universities, hospitals, restaurants, malls, office buildings, fitness facilities, and recreation centres. This product will quietly and automatically dispense foam soap when a hand is placed within 10cm (4") from the sensor.



Features:

- LED indicator for low battery and low soap
- Counter mounted with concealed mounting assembly
- Dispensing volume is approximately 1cc
- Bulk filled
- For use with foam soap/sanitizer
- Provides clean and professional appearance
- Operates with 4 AA Alkaline batteries (not included) or AC Adaptor (included). Battery life: 20,000 cycles or 1 year

Dispensing: Frost's 718 automatic foam soap/sanitizer dispenser has a dispensing volume of 1 cc. Activated sensor range: 7.6cm-10cm (3"-4"). Unit offers quiet and consistent dispensing.

Capacity:

- The bulk filled reservoir holds 1.5 litres (50.7 US oz.) of foam soap

Materials:

- Bottle: Robust high quality ABS
- Main Housing: Stainless steel, type 304, with satin finish

Frost Products Ltd

5276 John Lucas Drive
Burlington, ON, Canada, L7L5Z9

(905) 332-5700
1-800 667-5094

info@frostproductsltd.com
www.frostproductsltd.com



Specification Information

Product Dimensions:

- Above Counter Main Housing: 3.8cm W x 9.7cm H x 13.0cm D (1.5" W x 3.8" H x 5.1" D)
- Soap Reservoir and Bracket: 10.2cm W x 30.5cm H x 14.0cm D (4" W x 12" H x 5.5" D)
- Threaded Shank length is 5.6cm (2.1")
- Soap Tube Length is 27.9cm (11")

Product Weight:

- 1.3 kg (3 lbs)

Installation Guidelines: Drill a 2.54cm (1") hole in the counter top. Please ensure the spout is in the correct position so any excess soap drips into the sink. Slide the threaded shank into the hole and secure from underneath with rubber and nylon washer and lock into place with the screw nut. Ensure the rubber tube can reach the wall underneath the sink. Use the template provided to drill three holes (7mm) into the wall for the soap reservoir and bracket. Use plugs and screws provided. Fill the soap reservoir with liquid soap. Attach the soap pump and snap into place. Connect the pump and soap tubes. Ensure 4 "AA" Alkaline batteries are in the side of the unit. Please note that it is recommended that all installations be conducted by a qualified tradesperson. Failure to do so may result in serious injury. Please read and follow any additional installation guidelines provided with the products.

Maintenance: Normal preventative maintenance and cleaning will keep Frost products functioning properly and may extend normal product life. We recommend that units be periodically rinsed out with warm water to prevent soap build up that may hinder the performance of the valve. Products should be wiped down with a damp soft cloth periodically. Approved stainless steel cleaner may be used to clean scuffs or fingerprints on stainless surfaces. Do not use harsh detergents or chemical cleaners. For stainless steel please do not spray with any product containing bleach, acids, or chlorides, which can be found in many cleaning products such as toilet bowl cleaners. Use of these cleaning solutions may cause discoloration and if used for prolonged periods of time they can eat away at points in the stainless steel. If discoloration occurs, the use of an approved stainless steel cleaner and a firmer scrub pad, such as a Scotch Brite Pad #7447, may remove the markings. Wipe away any debris from the area and gently rub with the pad. Then spray the area with a stainless steel cleaner/polish and rinse and dry. Always wipe with the grain direction for stainless steel products. If a cleaning agent has begun to eat away at the steel on a unit then the unit will likely need to be replaced. The stainless steel that Frost Products uses is of high quality and stainless steel is resistant to rust. However, discoloration that appears to be rust can be caused by cleaning solutions and soaps mentioned above. It is important to discontinue use of any cleaning agent or soap if discoloration begins to occur. Clean off the discoloration as quickly as possible to avoid any permanent damage to the unit. Maintenance staff should be taught how to recognize the signs that they are not using the appropriate cleaning products and how to correctly maintain stainless steel items.

Warranty: If any product or part proves to be defective within 12 months from date of shipment from the factory it will be repaired or replaced without any charge including freight costs when authorized. Costs resulting from the installation or removal of defective products are not covered under this warranty. Discoloration to stainless steel parts resulting from exposure to harsh environmental and / or chemicals are not considered to be defects in workmanship or material and are not covered under warranty.