



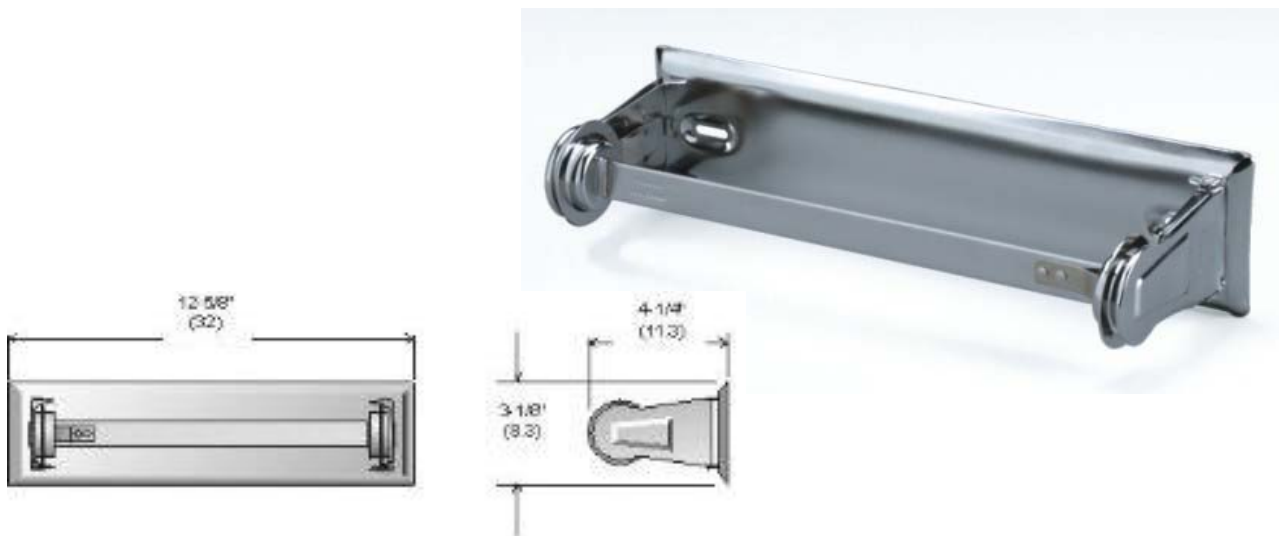
- Quality
- Value
- Service

**Tech
Reference**

Hygienic Solutions at Work

Paper Towel Dispenser

Code 126: Polished chrome finish



Specifications:

Site location:

Ideal for medical offices first aid and lunch rooms.

Features:

All welded construction 18 gauge steel. Tension springs restrict paper consumption. Pivot arm hinged on hardened steel rivets. Concealed locking device prevents pilferage and vandalism. Designed to dispense standard 11" rolls.

Shipping weight: 2 lbs. (.9 kg).

Installation:

Position bottom of fixture 48" 122 cm from floor. Secure to wall through mounting holes using screws provided.

Description and specifications applicable on date issued. Frost reserves the right to make improvements or changes without notice.