



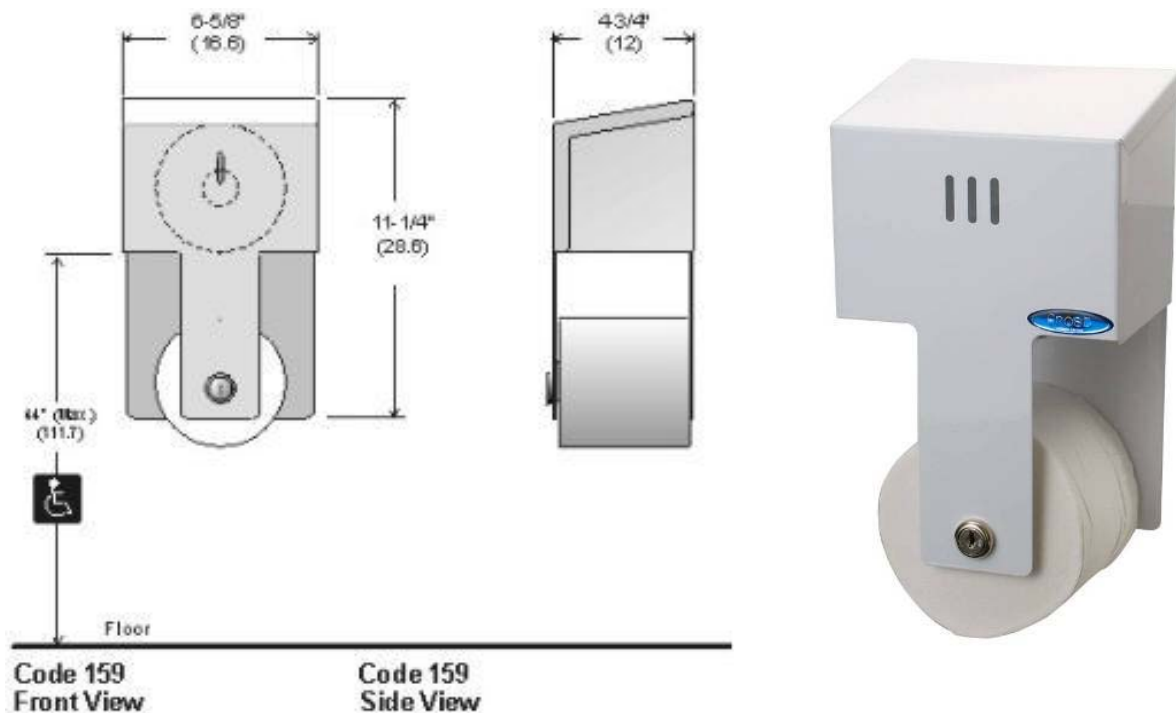
- Quality
- Value
- Service

**Tech
Reference**

Hygienic Solutions at Work

Roll Toilet Tissue Dispenser

Code 159: Vertical double roll in white epoxy finish



Specifications:

Site location: Ideal for areas requiring a heavy duty economical dispenser. Semi-concealed top promotes the use of one roll at a time.

Dispensing: Dispenses all standard toilet tissue rolls including 4.2" x 4.5", 500 sheet rolls.

Features: Capacity of two rolls per unit. Comes with keyed tumbler lock to prevent pilferage and vandalism. Front loading for easy service and maintenance. Tissue rolls are not removable without keyed access. Welded construction of both 18 ga. (front) and 20 ga. (back) cold rolled steel. Body secured to back with full length piano hinge.

Shipping Weight: 1.35 kg. (3 lbs.)

Installation: For unrestricted access, bottom of top roll to floor should not exceed 44" (111.7). Mounting screws provided.

Description and specifications applicable on date issued. Frost reserves the right to make improvements or changes without notice.