



- Quality
- Value
- Service

**Tech
Reference**

Hygienic Solutions at Work

Stock Series Mirrors

Code 941-1624: 16"w x 24"h

Code 941-1630: 16"w x 30"h

[Code 941-1824](#): 18"w x 24"h

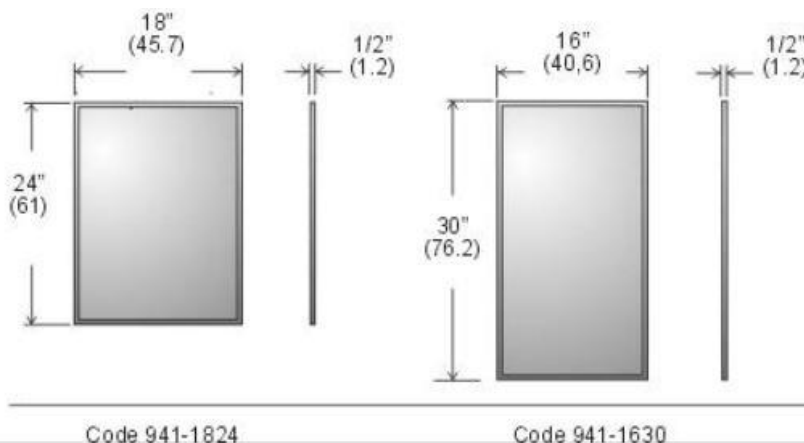
Code 941-1830: 18"w x 30"h

Code 941-1836: 18"w x 36"h

Code 941-2424: 24"w x 24"h

Code 941-2430: 24"w x 30"h

Code 941-2436: 24"w x 36"h



Specifications:

Site Location: The 941 stock series mirror is ideal for any location with its vandal resistant three way concealed fastener mounting.

Features: One piece 24 ga. stainless steel channel frame provides rigid assembly. Comes in bright annealed finish. Vandal resistant concealed three way mounting. 4mm glass with shock resistant primary back. Full galvanized back panel.

Shipping Weight: Code 941-1824, 10 kg. (23 lbs.), shipped two per carton.

Installation: Position bottom of mirror 48" (121) from floor.

Positions may vary depending on size and the type of installation.

Description and specifications applicable on date issued. Frost reserves the right to make improvements or changes without notice.