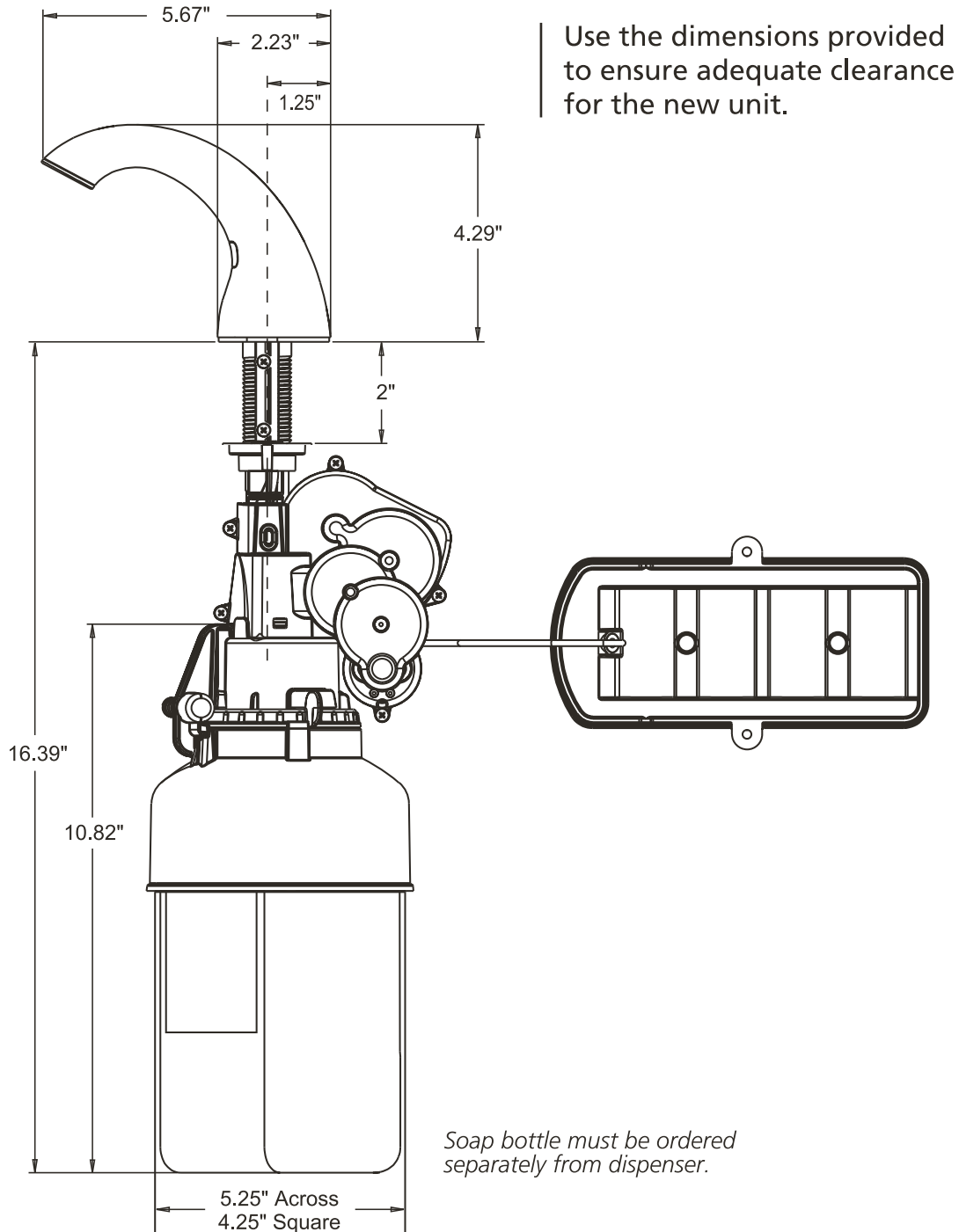


GOJO CXi™ DISPENSER DIMENSIONS

These dimensions apply to GOJO® CXi dispenser.



Side View



GOJO Industries, Inc.
One GOJO Plaza, Suite 500
P.O. Box 991 • Akron, OH 44309-0991
Tel: 1-330-255-6000 • Toll-free: 1-800-321-9647
Fax: 1-800-FAX-GOJO